

Mini Panel & Line Regulators / Leitungs- & Paneldruckminderer VSR-1ML & VSR-1MLP Series

Product Features

- Line mounting pressure regulator
- Brass chrome plated body and bonnet for inert, reactive, flammable and oxidizing gas and mixtures up to grade 6.0
- Stainless steel 316L body and bonnet for corrosive gases
- 4 ports flexible configuration
- Stable outlet pressure
- Simple outlet pressure limitation by handwheel
- Tested for use with oxygen



Typical Applications

- Component Testing
- Calibration Systems
- Laboratory Pressure Control
- High Pressure Sampling Systems
- Service & Test Equipment

VSR-1ML

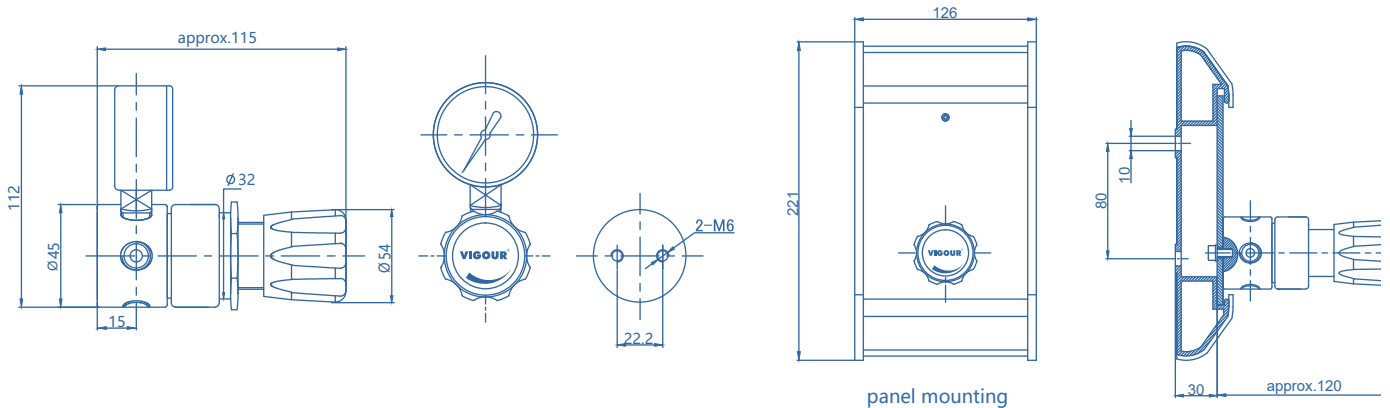


VSR-1MLP



Mounting panel
Model No.: VSR-T-BPB

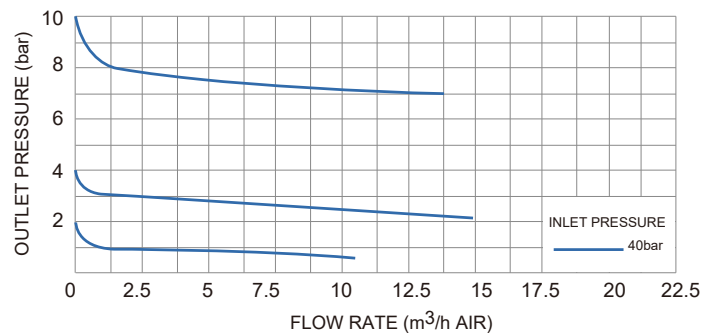
Dimensions (mm)



Technical Data

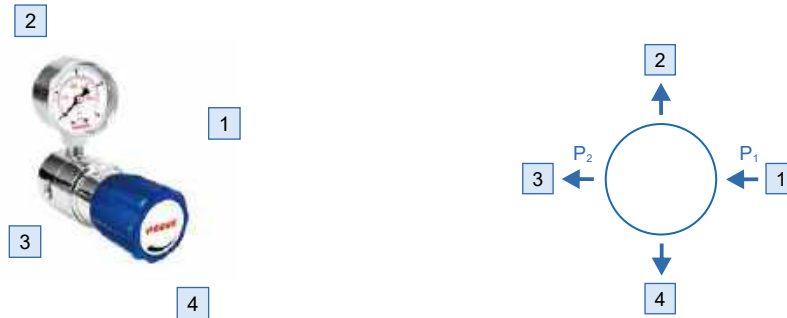
Type:	single-stage
Inlet pressure P ₁ :	max. 100 bar
Outlet pressure P ₂ :	2/4/10/20 bar
Materials	
Body regulator	see ordering info
Valve seat:	PCTFE
Diaphragm:	Hastelloy® C276
Filter:	SS 316L
Inlets and Outlets:	1/8" NPT(F)
Temperature range:	-30°C to +74°C
Leak rate (to atmosphere) (via seat)	1x10 ⁻⁸ mbar l/s He 1x10 ⁻⁶ mbar l/s He
Flow capacity:	Cv=0.12
Weight:	0.85 kg

Flow Chart



Leitungs- & Paneldruckminderer / Mini Panel & Line Regulators VSR-1ML & VSR-1MLP Series

Ordering Information



Inlets / Outlets

F4: 1/4"NPT(F)	06: 3/8" Tube fitting	TW8M: 8mm Weld tube
M4: 1/4"NPT(M)	6M: 6mm Tube fitting	P: Gauge(Psig/bar)
02: 1/8" Tube fitting	8M: 8mm Tube fitting	B: Plug
04: 1/4" Tube fitting	TW6M: 6mm Weld tube	

* Other connection standard, consult factory.

Port Selection

VSR - 1ML S - 100 - 20 - 1 - 2 - 3 - 4 - N2

Type

L: Line
LP: Panel

Body Material

S: 316L
C: Chrome Plated Brass

Inlet Pressure P₁

40: 40 bar
100: 100 bar

Type of Gas

Please specify type of gas

Outlet Pressure P₂

2: to 2 bar
4: to 4 bar
10: to 10 bar
20: to 20 bar

Ordering Example

Example: VSR - 1ML S - 100 - 20 - F4 - P - F4 - B - N2

1 - 2 - 3 - 4



Panel & Line Regulators / Leitungs- & Paneldruckminderer

VSR-1EL & VSR-1ELP Series

Product Features

- Line mounting pressure regulator
- Brass chrome plated body and bonnet for inert, reactive, flammable and oxidizing gas and mixtures up to grade 6.0
- Stainless steel 316L body and bonnet for corrosive gases
- 4 ports flexible configuration
- Stable outlet pressure
- Simple outlet pressure limitation by handwheel
- Tested for use with oxygen



Typical Applications

- Component Testing
- Calibration Systems
- Laboratory Pressure Control
- High Pressure Sampling Systems
- Service & Test Equipment

VSR-1EL

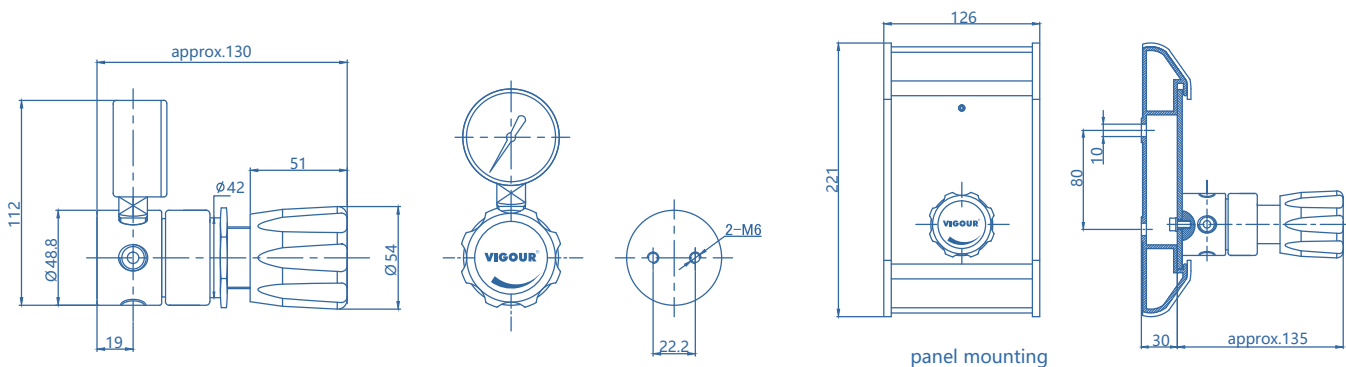


VSR-1ELP



Mounting panel
Model No.: VSR-T-BPB

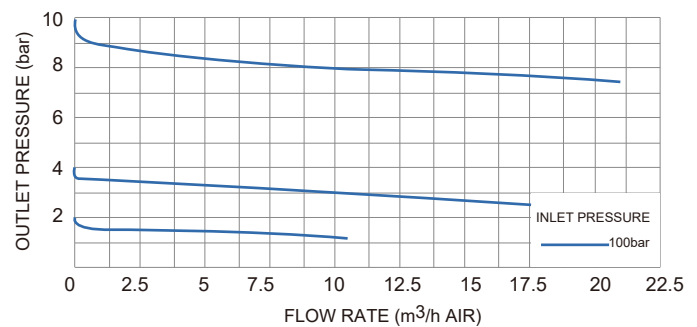
Dimensions (mm)



Technical Data

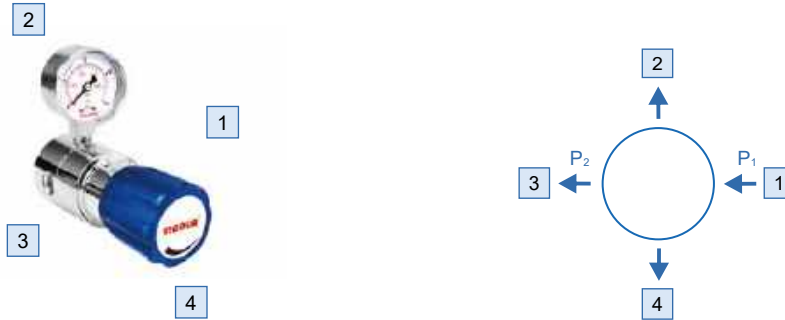
Type:	single-stage
Inlet pressure P ₁ :	max. 100 bar
Outlet pressure P ₂ :	2/4/10/20 bar
Materials	
Body regulator	see ordering info
Valve seat:	PCTFE
Diaphragm:	Hastelloy® C276
Filter:	SS 316L
Inlets and Outlets:	1/4" NPT(F)
Temperature range:	-30°C to +74°C
Leak rate (to atmosphere) (via seat)	1x10 ⁻⁸ mbar l/s He 1x10 ⁻⁶ mbar l/s He
Flow capacity:	C _v =0.18
Weight:	1.04 kg

Flow Chart



Leitungs- & Paneldruckminderer/Panel & Line Regulators VSR-1EL & VSR-1ELP Series

Ordering Information



Inlets / Outlets

F4: 1/4"NPT(F)	02: 1/8" Tube fitting	8M: 8mm Tube fitting	B: Plug
M4: 1/4"NPT(M)	04: 1/4" Tube fitting	TW6M: 6mm Weld tube	
F6: 3/8" NPT(F)	06: 3/8" Tube fitting	TW8M: 8mm Weld tube	
M6: 3/8" NPT(M)	6M: 6mm Tube fitting	P: Gauge(Psig/bar)	

* Other connection standard, consult factory.

Port Selection

VSR - 1EL S - 100 - 20 - 1 - 2 - 3 - 4 - N₂

Type

L: Line
LP: Panel

Body Material

S: 316L
C: Chrome Plated Brass

Inlet Pressure P₁

40: 40 bar
100: 100 bar

Type of Gas

Please specify type of gas

Outlet Pressure P₂

2: to 2 bar
4: to 4 bar
10: to 10 bar
20: to 20 bar

Ordering Example

Example: VSR - 1EL C - 100 - 20 - F4 - P - F4 - B - O₂

1 - 2 - 3 - 4



Panel & Line Regulators / Leitungs- & Paneldruckminderer

VSR-2EL & VSR-2ELP Series

Product Features

- Line and Panel mounting pressure regulator
- Brass chrome plated body for inert, reactive, flammable and oxidizing gas and mixtures up to grade 6.0
- Stainless steel 316L body for corrosive gases
- 4 ports flexible configuration
- Stable outlet pressure
- Simple outlet pressure limitation by handwheel
- Inlet filter
- Tested for use with oxygen



Typical Applications

- Component Testing
- Calibration Systems
- Laboratory Pressure Control
- High Pressure Sampling Systems
- Service & Test Equipment

VSR-2EL

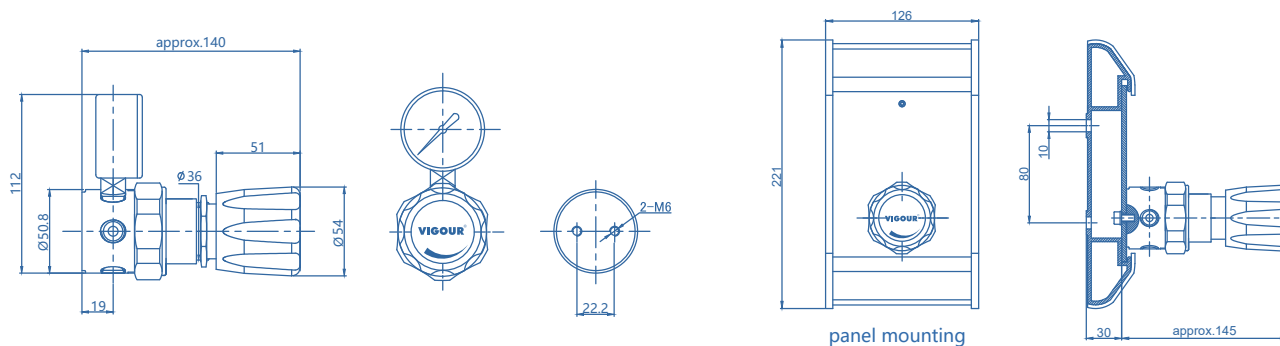


VSR-2ELP



Mounting panel
Model No.: VSR-T-BPB

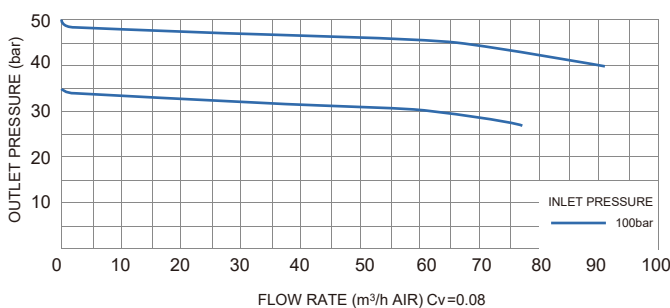
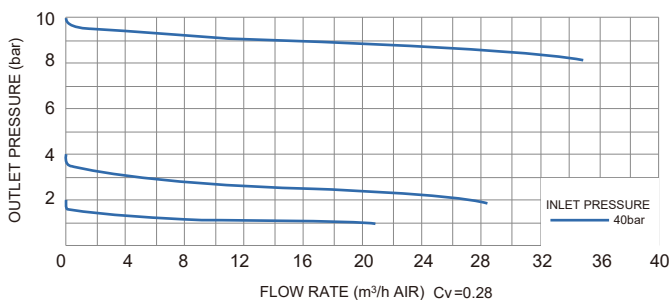
Dimensions (mm)



Technical Data

Type:	single-stage
Inlet pressure P ₁ :	max. 100bar
Outlet pressure P ₂ :	vac/ 2/4/10/20/ 35/50 bar
Materials	
Body regulator	see ordering info
Valve seat:	PCTFE
Diaphragm:	Hastelloy® C276
O-ring: (option)	Viton® (FKM) Kalrez® (FFKM)
Filter:	SS 316L
Inlets and Outlets:	1/4" NPT(F)
Temperature range:	-30°C to +74°C
Leak rate (to atmosphere) (via seat)	1x10 ⁻⁸ mbar l/s He 1x10 ⁻⁶ mbar l/s He
Flow capacity: (P ₂ =35/50 bar)	C _v =0.08
(P ₂ =2/4/10/20 bar)	C _v =0.28
Weight:	1.25 kg

Flow Chart



Leitungs- & Paneldruckminderer/Panel & Line Regulators VSR-2EL & VSR-2ELP Series

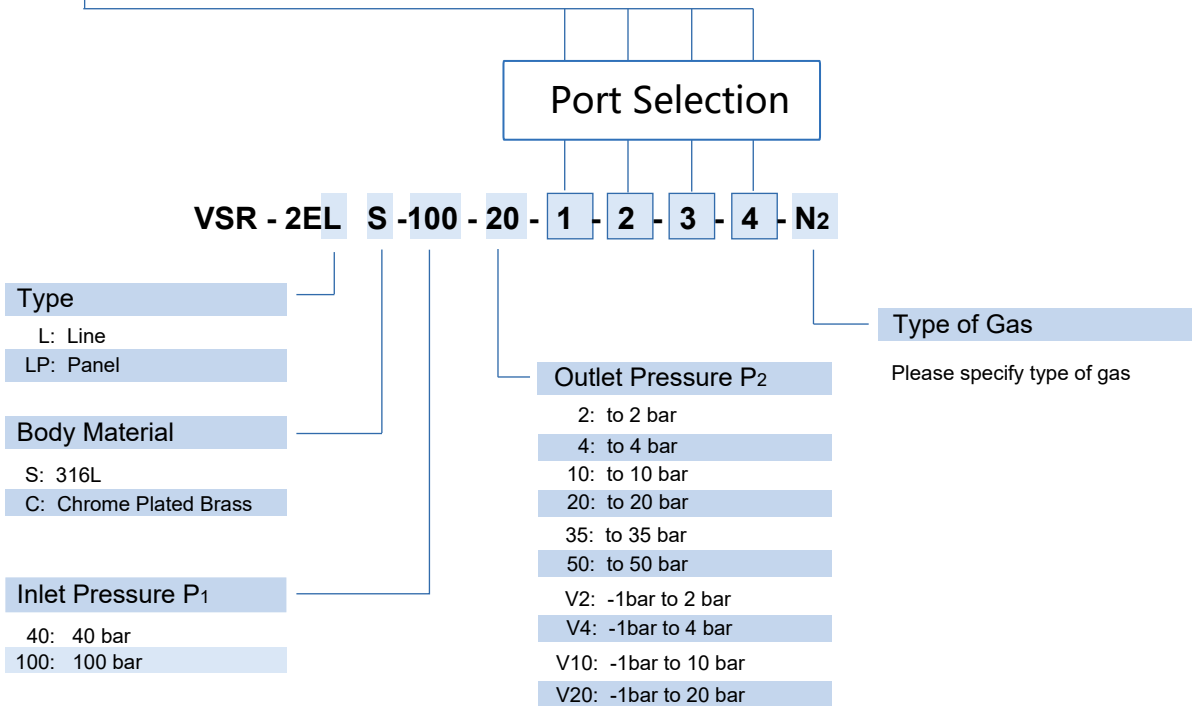
Ordering Information



Inlets / Outlets

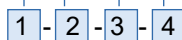
F4: 1/4"NPT(F)	02: 1/8" Tube fitting	8M: 8mm Tube fitting
M4: 1/4"NPT(M)	04: 1/4" Tube fitting	TW12M: 12mm Weld tube
F6: 3/8" NPT(F)	06: 3/8" Tube fitting	P: Gauge(Psig/bar)
M6: 3/8" NPT(M)	6M: 6mm Tube fitting	B: Plug

* Other connection standard, consult factory.



Ordering Example

Example: VSR - 2EL C - 100 - 20 - F4 - P - F4 - B - O₂



Panel & Line Regulators / Leitungs- & Paneldruckminderer

VSR-3L & VSR-3LP Series

Product Features

- Line and Panel mounting pressure regulator
- Brass chrome plated body for inert, reactive, flammable and oxidizing gas and mixtures up to grade 6.0
- Stainless steel 316L body for corrosive gases
- 4 ports flexible configuration
- Stable outlet pressure
- Simple outlet pressure limitation by handwheel
- Inlet filter
- Tested for use with oxygen



Typical Applications

- Component Testing
- Calibration Systems
- Laboratory Pressure Control
- High Pressure Sampling Systems
- Service & Test Equipment

VSR-3L

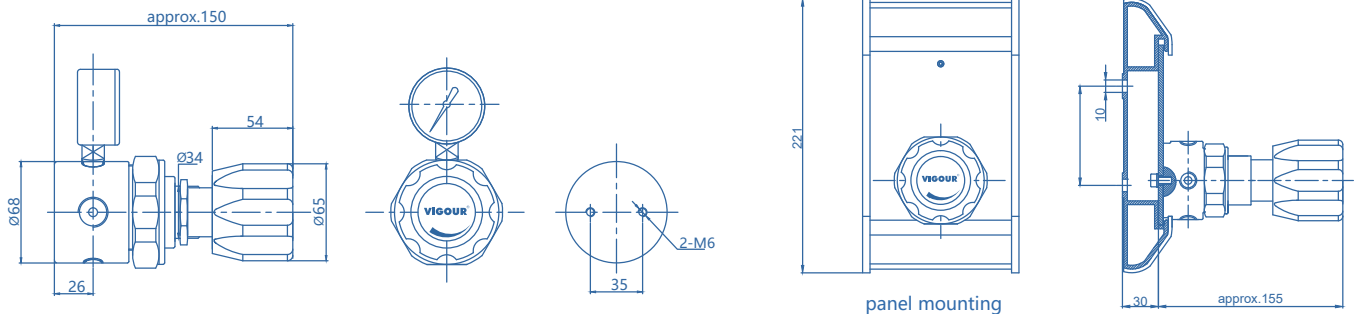


VSR-3LP



Mounting panel
Model No.: VSR-T-BPB

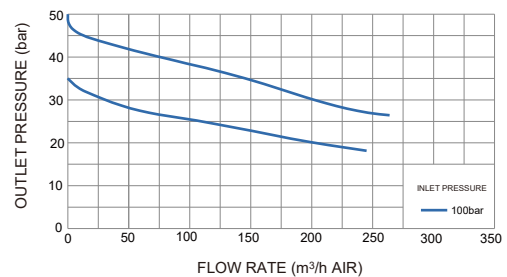
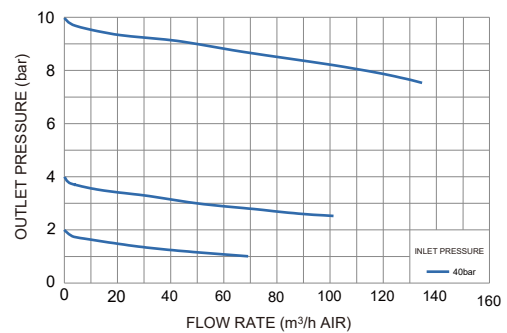
Dimensions (mm)



Technical Data

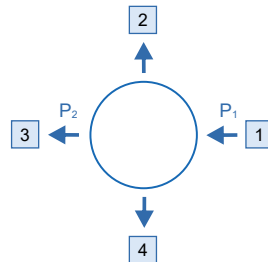
Type:	single-stage
Inlet pressure P ₁ :	max. 100 bar
Outlet pressure P ₂ :	2/4/10/20/35/50 bar
Materials	
Body regulator	see ordering info
Valve seat:	PCTFE
Diaphragm:	Hastelloy® C276
O-ring: (option)	Viton® (FKM) Kalrez® (FFKM)
Filter:	SS 316L
Inlets and Outlets:	see ordering info
Temperature range:	-30°C to +74°C
Leak rate (to atmosphere) (via seat)	1x10 ⁻⁸ mbar l/s He 1x10 ⁻⁶ mbar l/s He
Flow capacity:	C _v =1.7
Weight:	2.8 kg

Flow Chart



Leitungs- & Paneldruckminderer / Panel & Line Regulators VSR-3L & VSR-3LP Series

Ordering Information



Inlets / Outlets

F4: 1/4"NPT(F)	TW12M: 12mm Weld tube
F6: 3/8"NPT(F)	TW20M: 20mm Weld tube
F8: 1/2"NPT(F)	P: Gauge(Psig/bar)
F12: 3/4"NPT(F)	B: Plug

* Other connection standard, consult factory.

Port Selection

VSR - 3L S - 100 - 20 - 1 - 2 - 3 - 4 - N₂

Type

- L: Line
- LP: Panel

Body Material

- S: 316L
- C: Chrome Plated Brass

Inlet Pressure P₁

- 40: 40 bar
- 100: 100 bar

Type of Gas

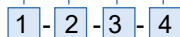
Please specify type of gas

Outlet Pressure P₂

- 2: to 2 bar
- 4: to 4 bar
- 10: to 10 bar
- 20: to 20 bar
- 35: to 35 bar
- 50: to 50 bar

Ordering Example

Example: **VSR - 3L S - 100 - 4 - F8 - P - F8 - B - O₂**



Line Regulators / Leitungsdruckminderer

VSR-4L Series

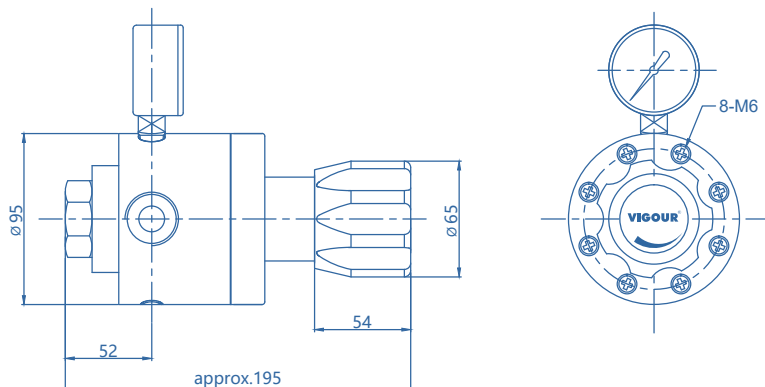
Product Features

- Low pressure, high flow regulator
- Brass chrome plated body for inert, reactive, flammable and oxidizing gas and mixtures up to grade 6.0
- Stainless steel 316L body for pharmaceutical, food, and beverage application
- 4 ports flexible configuration
- Stable outlet pressure
- Tested for use with oxygen

Typical Applications

- Component Testing
- Calibration Systems
- Laboratory Pressure Control
- High Pressure Sampling Systems
- Service & Test Equipment

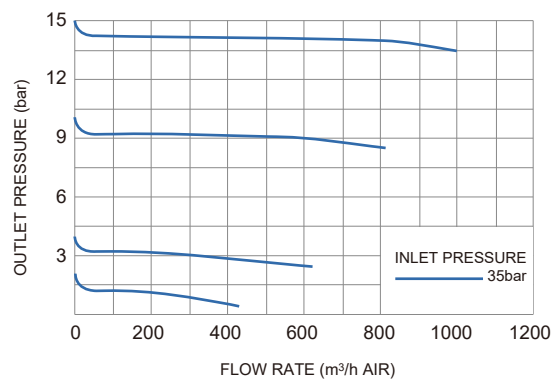
Dimensions (mm)



Technical Data

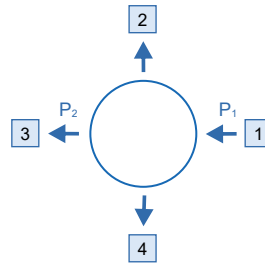
Type:	single-stage
Inlet pressure P ₁ :	max. 35 bar
Outlet pressure P ₂ :	2/4/10/20 bar
Materials	
Body regulator	see ordering info
Valve seat:	EPDM(Buna-N option)
Diaphragm:	PTFE+Neoprene
Inlets and Outlets:	see ordering info
Temperature range:	-15°C to +74°C
Leak rate	Bubble-tight
Flow capacity:	C _v =5.1
Weight:	4.10 kg

Flow Chart



Leitungsdruckminderer/Line Regulators VSR-4L Series

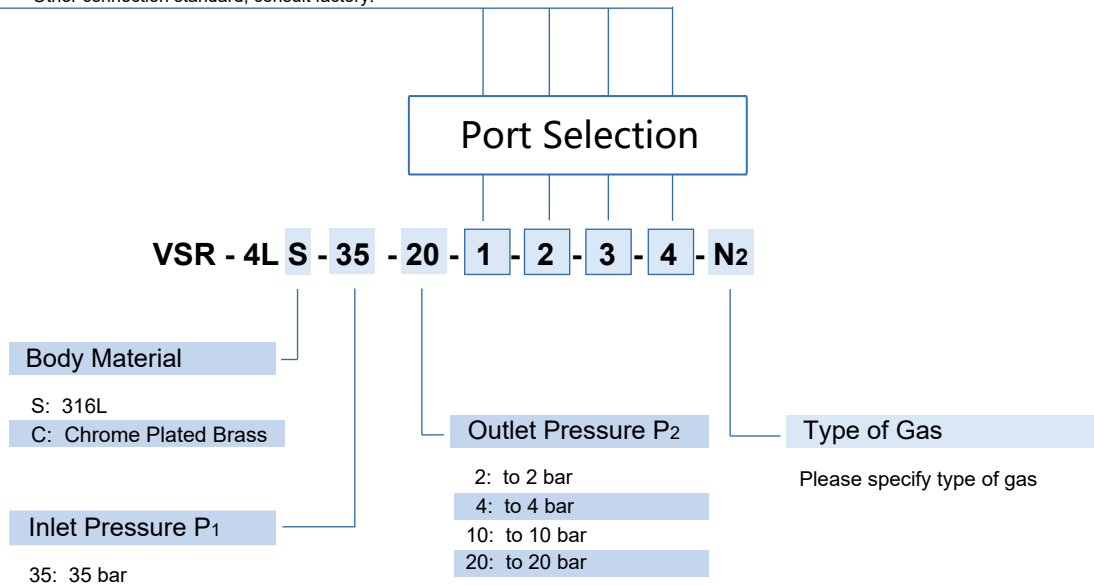
Ordering Information



Inlets / Outlets

F4: 1/4" NPT(F)	M12: 3/4" NPT(M)	12M: 3/4" Tube fitting
F8: 1/2" NPT(F)	F16: 1" NPT(F)	16M: 1" Tube fitting
M8: 1/2" NPT(M)	M16: 1" NPT(M)	P: Gauge(Psig/bar)
F12: 3/4" NPT(F)	TW20M: 20mm Weld tube	B: Plug

* Other connection standard, consult factory.



Ordering Example

Example: VSR - 4L S - 35 - 10 - F16 - P - F16 - B - O₂

1 - 2 - 3 - 4



Panel & Line Regulators / Leitungs- & Paneldruckminderer

VSR-6EL & VSR-6ELP Series

Product Features

- Diaphragm design high pressure piston regulator
- Line and Panel mounting pressure regulator
- Brass chrome plated body and bonnet for inert, reactive, flammable and oxidizing gas and mixtures up to grade 6.0
- Stainless steel 316L body for corrosive gases
- 4 ports flexible configuration
- Simple outlet pressure limitation by handwheel
- Stable outlet pressure
- Inlet filter
- Tested for use with oxygen



Typical Applications

- Component Testing
- Calibration Systems
- Laboratory Pressure Control
- High Pressure Sampling Systems
- Service & Test Equipment

VSR-6EL

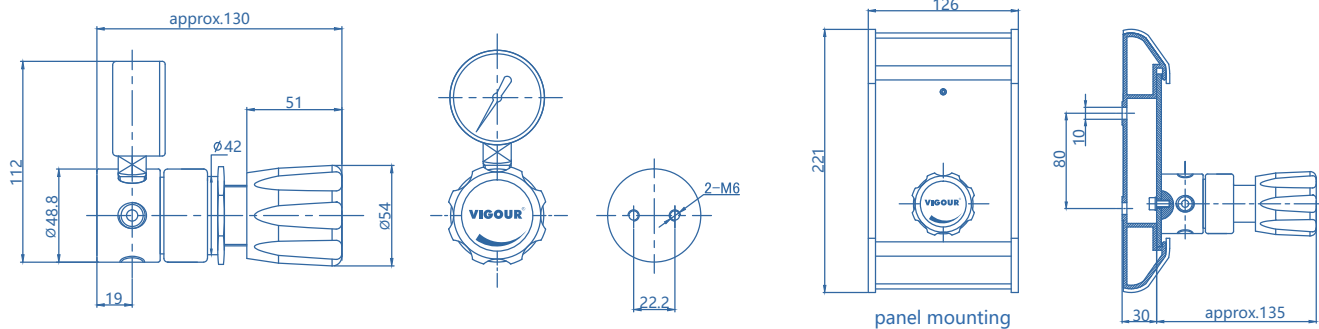


VSR-6ELP



Mounting panel
Model No.: VSR-T-BPB

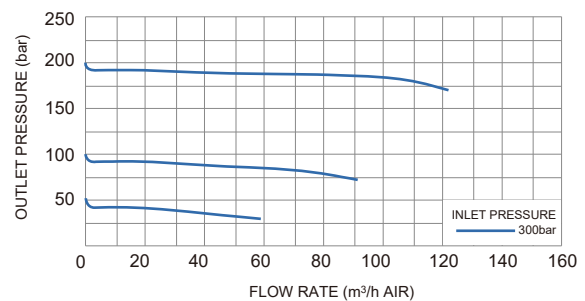
Dimensions (mm)



Technical Data

Type:	single-stage
Inlet pressure P ₁ :	max. 300 bar
Outlet pressure P ₂ :	50/100/200 bar
Materials	
Body regulator:	see ordering info
Valve seat:	PCTFE
Piston:	SS316L
O-ring:	Viton® (FKM)
(option)	Kalrez® (FFKM)
Filter:	SS 316L
Inlets and Outlets:	1/4" NPT(F)
Temperature range:	-30°C to +74°C
Leak rate (to atmosphere)	1x10 ⁻⁸ mbar l/s He
(via seat)	1x10 ⁻⁶ mbar l/s He
Flow capacity:	Cv=0.15
Weight:	1.13 kg

Flow Chart



Leitungs- & Paneldruckminderer / Panel & Line Regulators VSR-6EL & VSR-6ELP Series

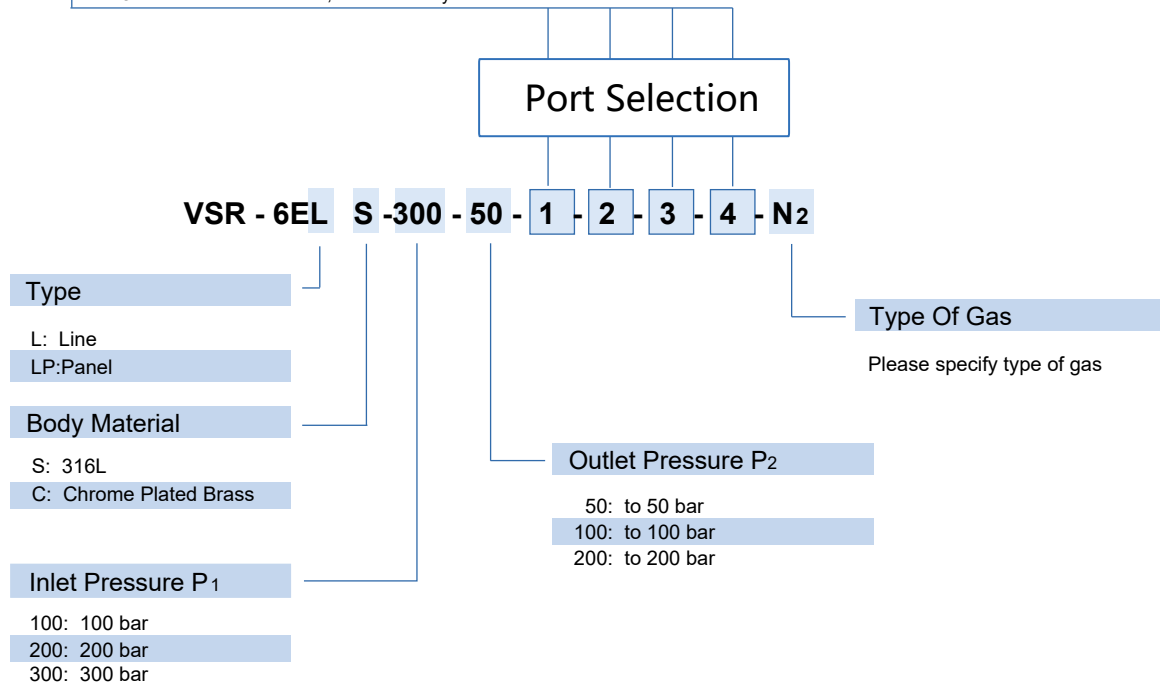
Ordering Information



Inlets / Outlets

F4: 1/4"NPT(F)	02: 1/8" Tube fitting	8M: 8mm Tube fitting	P: Gauge(Psig/bar)
M4: 1/4"NPT(M)	04: 1/4" Tube fitting	TW6M: 6mm weld tube	B: Plug
F6: 3/8" NPT(F)	06: 3/8" Tube fitting	TW8M: 8mm weld tube	
M6: 3/8" NPT(M)	6M: 6mm Tube fitting		

* Other connection standard, consult factory.



Ordering Example

Example: VSR - 6EL C - 200 - 50 - F4 - P - F4 - B - O₂

1
2
3
4



Line Regulators / Leitungsdruckminderer

VSR-12L & 12HL Series

Product Features

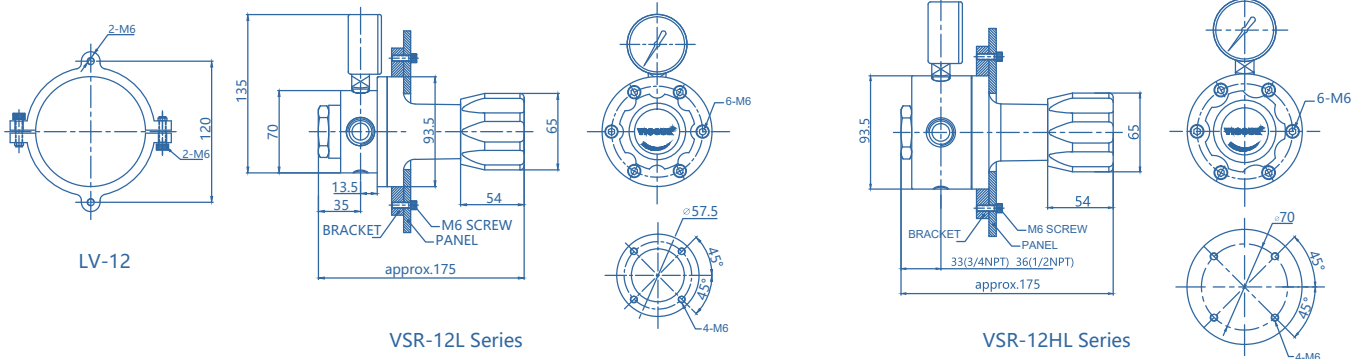
- Low pressure, high flow regulator
- Brass chrome plated body for inert, reactive, flammable and oxidizing gas and mixtures up to grade 6.0
- Stainless steel 316L body for pharmaceutical, food, and beverage application
- 4 ports flexible configuration
- Stable outlet pressure
- Tested for use with oxygen
- Large seat and diaphragm areas provide high capacity with sensitive control of delivery pressure with low falloff

Typical Applications

- Component Testing
- Calibration Systems
- Laboratory Pressure Control
- Service & Test Equipment



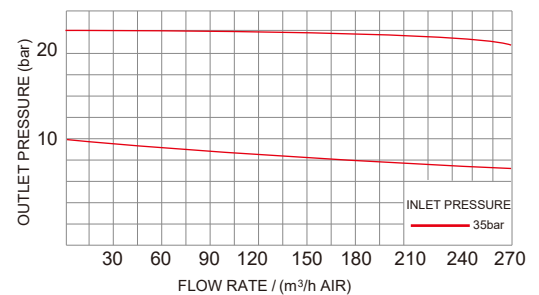
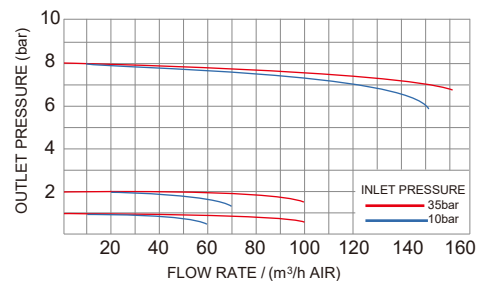
Dimensions (mm)



Technical Data

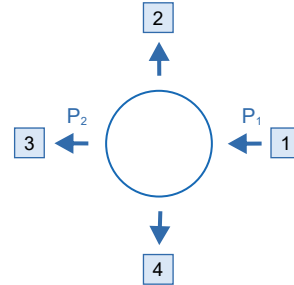
Type:	single-stage
Inlet pressure P ₁ :	Max 35 bar
Outlet pressure P ₂ :	1/2/8/10/20 bar
Materials	
Body regulator	see ordering info
Seat:	EPDM(Viton® option)
Diaphragm:	PTFE+Buna-N
Inlets and Outlets:	see ordering info
Temperature range:	-15°C to +74°C
Leak rate	Bubble-tight
Weight:	approx. 2.5kg / 3.7kg

Flow Chart



Leitungsdruckminderer / Line Regulators VSR-12L & 12HL Series

Ordering Information



Inlets / Outlets

F4: 1/4" NPT(F)
F8: 1/2" NPT(F)
F12: 3/4" NPT(F) (only for VSR-12HL series)
12: 3/4" Tube fitting

16: 1" Tube fitting
TW20M: 20mm Weld tube
P: Gauge(Psig/bar)
B: Plug

* Other connection standard, consult factory.

Port Selection

VSR - 12L S - 35 - 20 - 1 - 2 - 3 - 4 - E - N₂

Series

L: L series
HL: HL series

Body Material

S: 316L
C: Chrome Plated Brass

Inlet Pressure P₁

35: 35 bar

Outlet Pressure P₂

1: to 1 bar
2: to 2 bar
8: to 8 bar
10: to 10 bar
20: to 20 bar

Type of Gas

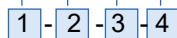
Please specify type of gas

Seat Diaphragm

V: Viton
E: EPDM(standard)

Ordering Example

Example: VSR - 12L S - 35 - 10 - F8 - P - F8 - B - O₂



Line Regulators / Leitungsdruckminderer

VSR-3PH Series

Product Features

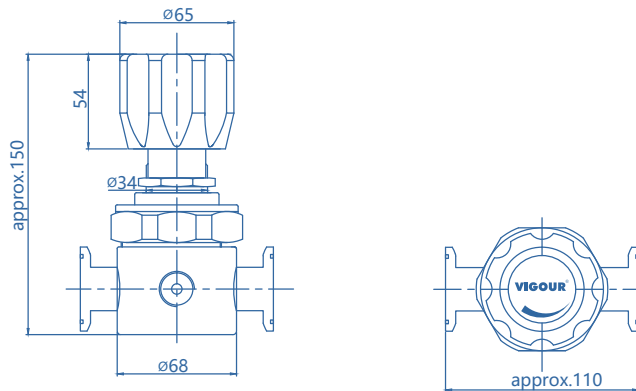
- Line pressure regulator
- Stainless steel 316L body
- 2 or 3 ports configuration
- Stable outlet pressure

Typical Applications

- Pharmaceutical Industry
- Food and Beverage Industry



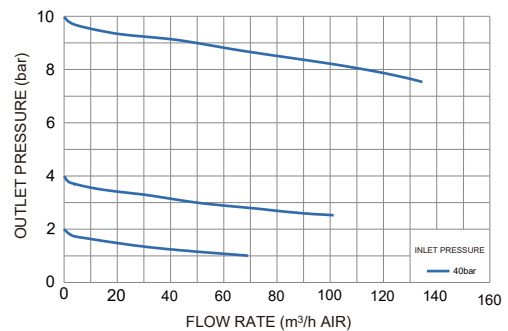
Schematic Drawing



Technical Data

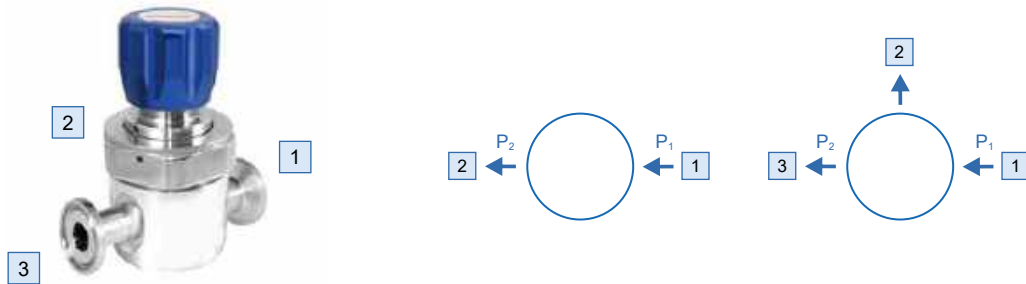
Type:	single-stage
Inlet pressure P ₁ :	max. 40 bar
Outlet pressure P ₂ :	2/4/10 bar
Materials	
Body regulator	see ordering info
Valve seat:	PCTFE
Diaphragm:	Hastelloy® C276
O-ring: (option)	Viton® (FKM) Kalrez® (FFKM)
Filter:	SS 316L
Inlets and Outlets:	see ordering info
Temperature range:	-30°C to +74°C
Leak rate (to atmosphere) (via seat)	1x10 ⁻⁸ mbar l/s He 1x10 ⁻⁶ mbar l/s He
Flow capacity:	Cv=1.7
Weight:	2.8 kg

Flow Chart



Leitungsdruckminderer / Line Regulators VSR-3PH Series

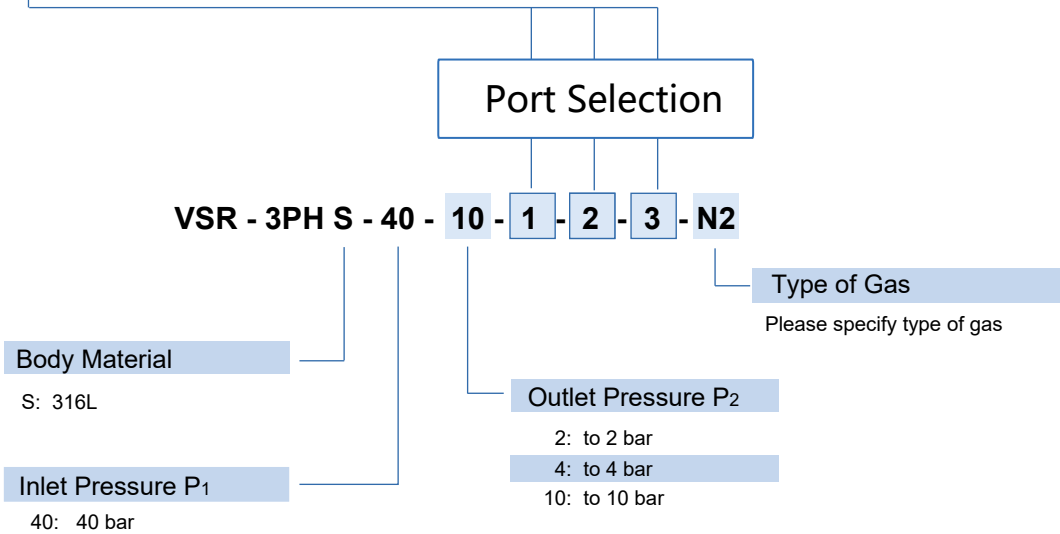
Ordering Information



Inlets / Outlets

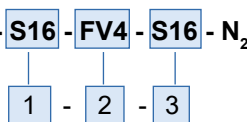
S16: 1"Sanitary	TW8: 1/2"Weld tube	TW20M: 20mm Weld tube
S32: 2"Sanitary	TW12: 3/4"Weld tube	FV4: 1/4" VFS female
S40: 2-1/2"Sanitary	TW12M: 12mm Weld tube	P: Gauge(Psig/bar)

* Other connection standard, consult factory.



Ordering Example

Example: VSR - 3PH S - 40 - 4 - S16 - FV4 - S16 - N₂



Line Regulators / Leitungsdruckminderer

VSR-4PH Series

Product Features

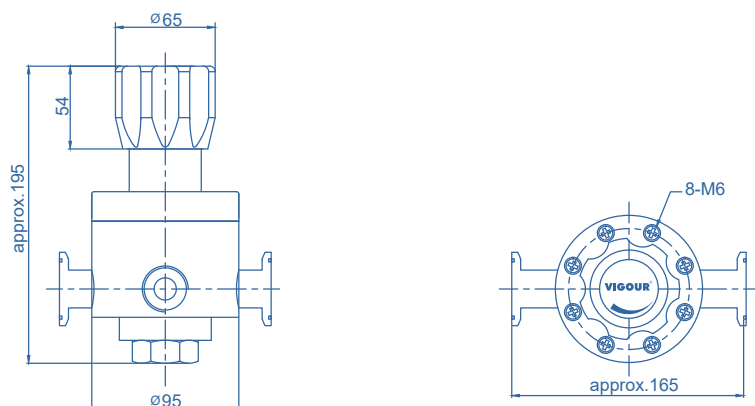
- Line pressure regulator
- Stainless steel 316L body
- 2 or 3 ports configuration
- Stable outlet pressure

Typical Applications

- Pharmaceutical Industry
- Food and Beverage Industry



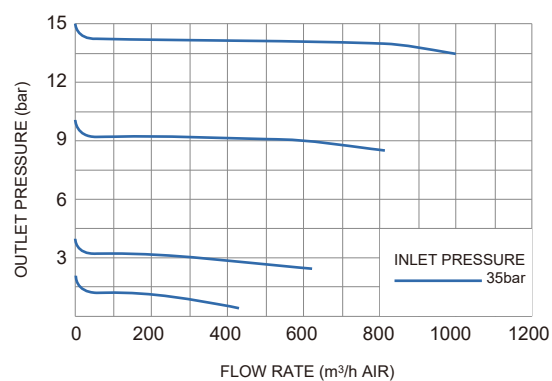
Schematic Drawing



Technical Data

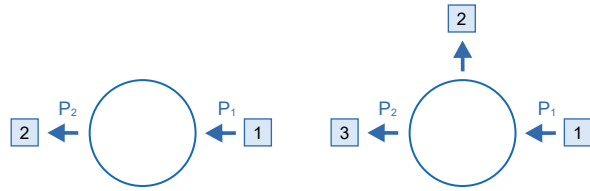
Type:	single-stage
Inlet pressure P ₁ :	max. 35 bar
Outlet pressure P ₂ :	2/4/10/20 bar
Materials	
Body regulator	see ordering info
Valve seat:	Buna-N
Diaphragm:	Neoprene+PTFE
Inlets and Outlets:	see ordering info
Temperature range:	-15°C to +74°C
Leak rate	Bubble-tight
Flow capacity:	C _v =5.1
Weight:	4.20 kg

Flow Chart



Leitungsdruckminderer / Line Regulators VSR-4PH Series

Ordering Information



Inlets / Outlets

S16: 1"Sanitary

S32: 2"Sanitary

S40: 2-1/2"Sanitary

TW8: 1/2"Weld tube

TW12: 3/4"Weld tube

TW16: 1"Weld tube

TW24: 1-1/2"Weld tube

TW12M: 12mm Weld tube

TW20M: 20mm Weld tube

TW25M: 25mm Weld tube

TW30M: 30mm Weld tube

FV4: 1/4" VFS female

P: Gauge(Psig/bar)

* Other connection standard, consult factory.

Port Selection

VSR - 4PH S - 35 - 10 - 1 - 2 - 3 - N₂

Body Material

S: 316L

Inlet Pressure P₁

35: 35 bar

Outlet Pressure P₂

2: to 2 bar

4: to 4 bar

10: to 10 bar

20: to 20 bar

Type of Gas

Please specify type of gas

Ordering Example

Example: VSR - 4PH S - 35 - 10 - S16 - FV4 - S16 - N₂

1 - 2 - 3



Line Regulators / Leitungsdruckminderer

VSR-3F Series

Product Features

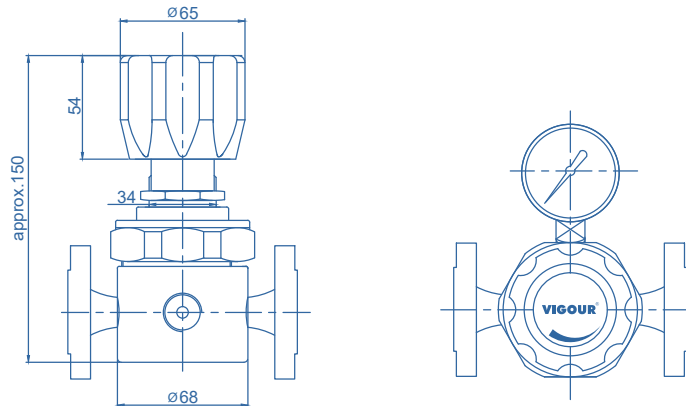
- Line pressure regulator
- Stainless steel 316L body
- 4 ports configuration
- Stable outlet pressure

Typical Applications

- Pharmaceutical Industry
- Food and Beverage Industry



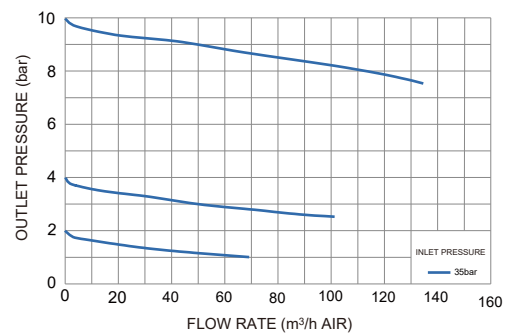
Schematic Drawing



Technical Data

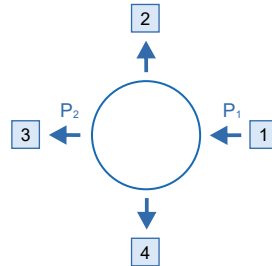
Type:	single-stage
Inlet pressure P ₁ :	max. 40 bar
Outlet pressure P ₂ :	2/4/10/20 V2/V10 bar
Materials	
Body regulator	see ordering info
Valve seat:	PCTFE
Diaphragm:	Hastelloy® C276
O-ring: (option)	Viton® (FKM) Kalrez® (FFKM)
Filter:	SS 316L
Inlets and Outlets:	see ordering info
Temperature range:	-30°C to +74°C
Leak rate (to atmosphere) (via seat)	1x10 ⁻⁸ mbar l/s He 1x10 ⁻⁶ mbar l/s He
Flow capacity:	C _v =1.7
Weight:	3.20 kg

Flow Chart



Leitungsdruckminderer / Line Regulators VSR-3F Series

Ordering Information



Inlets / Outlets

D10: DN10 Flange
D15: DN15 Flange
D20: DN20 Flange

D25: DN25 Flange
D30: DN30 Flange
F4: 1/4" NPT(F)

P: Gauge(Psig/bar)
B: plug

* Other connection standard, consult factory.

Port Selection

VSR - 3FS - 40 - 10 - 1 - 2 - 3 - 4 - N2

Body Material

S: 316L

Inlet Pressure P1

40: 40 bar

Outlet Pressure P2

2: to 2 bar

4: to 4 bar

10: to 10 bar

20: to 20 bar

V2: 30 in Hg VAC ~ 2 bar

V10: 30 in Hg VAC ~ 10 bar

Type of Gas

Please specify type of gas

Ordering Example

Example: VSR - 3FS - 40 - 10 - D10 - F4 - D10 - B - N2

1 - 2 - 3 - 4



Line Regulators / Leitungsdruckminderer

VSR-4F Series

Product Features

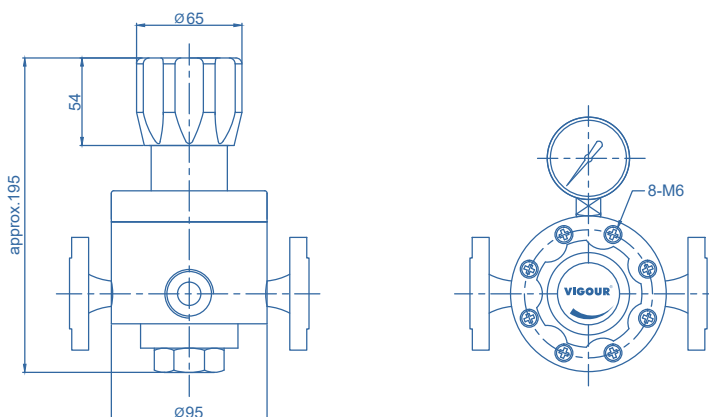
- Line pressure regulator
- Stainless steel 316L body
- 4 ports configuration
- Stable outlet pressure

Typical Applications

- Pharmaceutical Industry
- Food and Beverage Industry



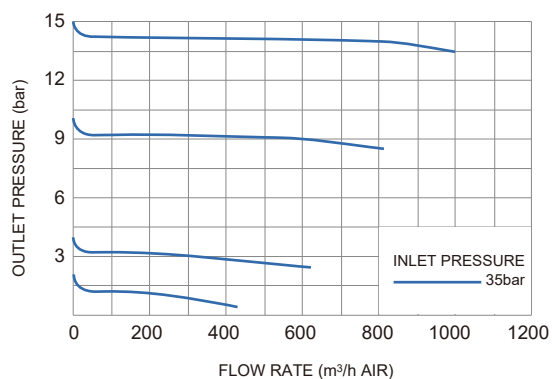
Schematic Drawing



Technical Data

Type:	single-stage
Inlet pressure P ₁ :	max. 35 bar
Outlet pressure P ₂ :	2/4/10/20 bar
Materials	
Body regulator	see ordering info
Valve seat:	Buna-N
Diaphragm:	Neoprene+PTFE
Inlets and Outlets:	see ordering info
Temperature range:	-15°C to +74°C
Leak rate	Bubble-tight
Flow capacity:	C _v =5.1
Weight:	5.10 kg

Flow Chart



Leitungsdruckminderer / Line Regulators VSR-4F Series

Ordering Information



Inlets / Outlets

D20: DN20 Flange F4: 1/4" NPT(F) B: plug
 D25: DN25 Flange P: Gauge(Psig/bar)

* Other connection standard, consult factory.

Port Selection

VSR - 4FS - 35 - 10 - 1 - 2 - 3 - 4 - N2

Body Material

S: 316L

Inlet Pressure P₁

35: 35 bar

Outlet Pressure P₂

2: to 2 bar
 4: to 4 bar
 10: to 10 bar
 20: to 20 bar

Type of Gas

Please specify type of gas

Ordering Example

Example: VSR - 4FS - 35 - 10 - D20 - F4 - D20 - B - N2

