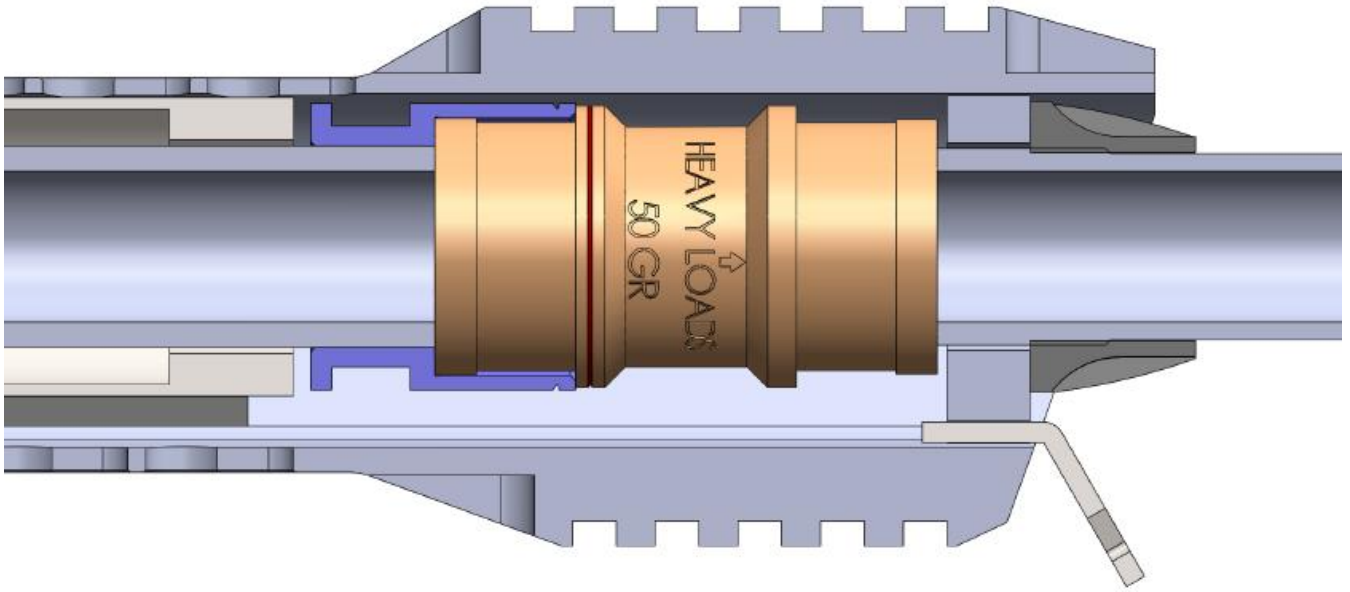
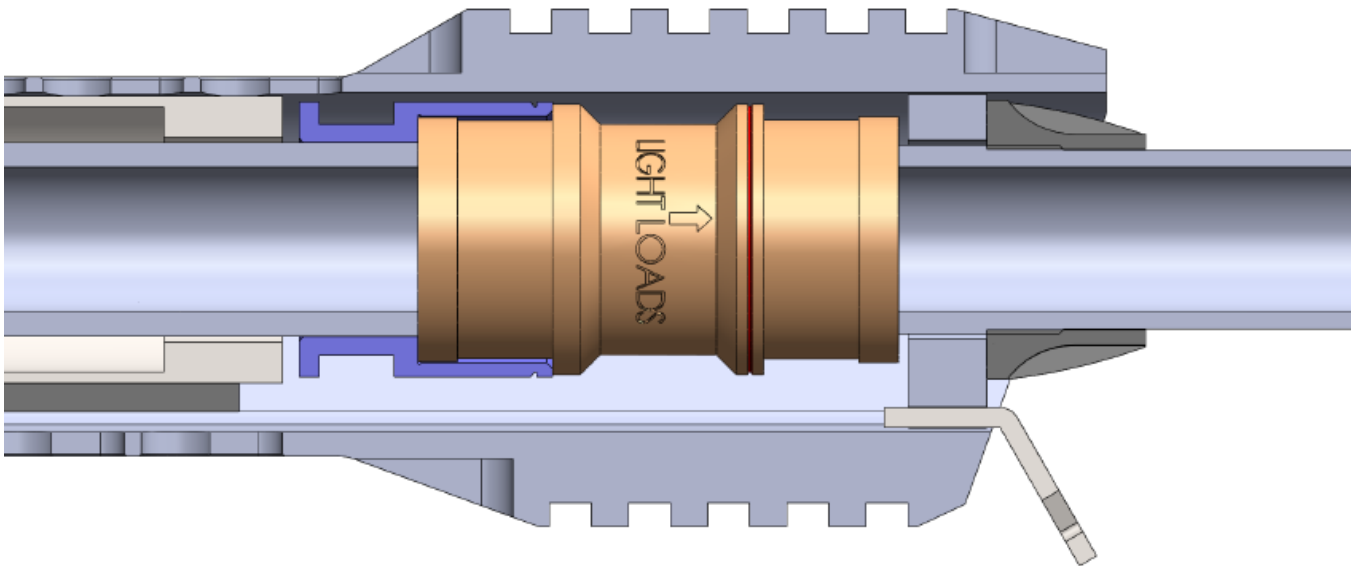


## USAGE OF TYPHOON F12 PATENTED DUAL GAS SYSTEM



Typhoon F12 Semi automatic Shotgun is designed for maximum operation quality with patented dual side gas system as in the photo. Your gun will be manufactured as that for low and medium pressure shells usage ,on the other hand you will be able to increase the operation quality according to your requirements by following these steps easily.



When you disassemble quadrail (forend) of your Typhoon F12 semi automatic shotgun according to instructions on manual you will be able to change side of gas system as in the photo for usage of high pressure shells in best way without any problem. Before doing these kind of operations on your gun , you must read owners manual with all details for not to face with problem because of incorrect assembling.